

Gear Motor

DKM3

DKM3 is a DC gear motor with hollow shaft to drive an hex rod (not included). In addition to the compact size and low noise level, it also provides positioning feedbacks using dual Hall effect sensors to support advanced control functions. DKM3 is an economical and high quality drive solution, which possesses wide applications.

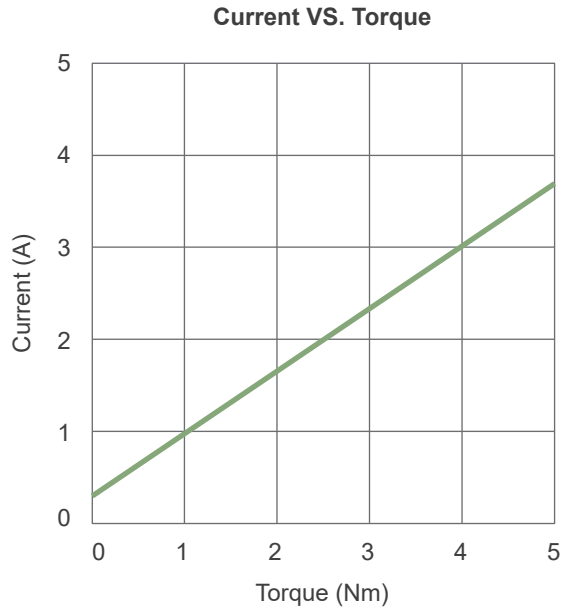


Features

- Main application: Furniture
- Input voltage: 24V DC
- Max. speed at no load: 62rpm after gear reduction
- Max. torque: 5Nm
- Dual Hall effect sensors positioning feedback
- Hollow shaft: Hexagon 6 or 8mm diameter
- Noise level: ≤ 50 dB
- IP level: IP30
- Color: Black
- Power cord length: 1000mm straight
- Duty cycle: 10%, max. 2 min. continuous operation in 20 min.
- Operating ambient temperature: 0°C ~ +45°C

Performance Data

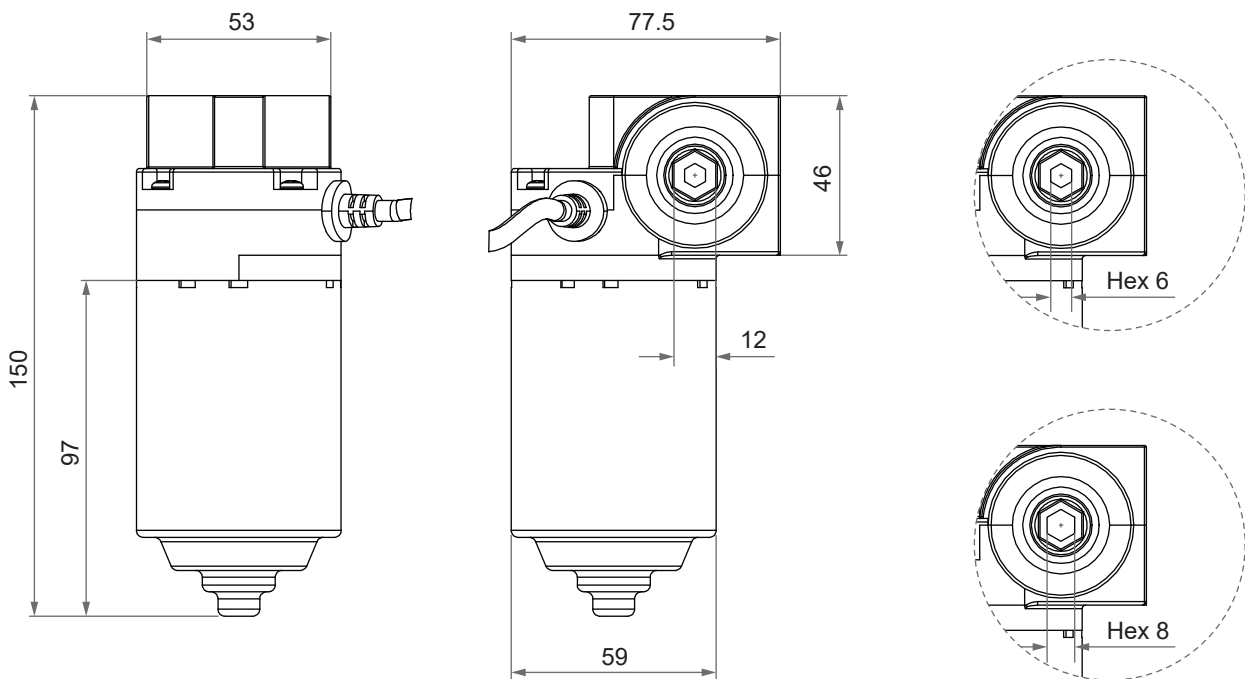
Model No.	Drive torque Max. (Nm)	* Typical speed (rpm)		* Typical current (A) @ 24V DC	
		No load		No load	Full load (5Nm)
DKM3	5	62		0.3	3.7



Remarks:

- * The typical speed or typical current means the average value neither upper limit nor lower limit. The performance curves are made with typical values.

Dimensions

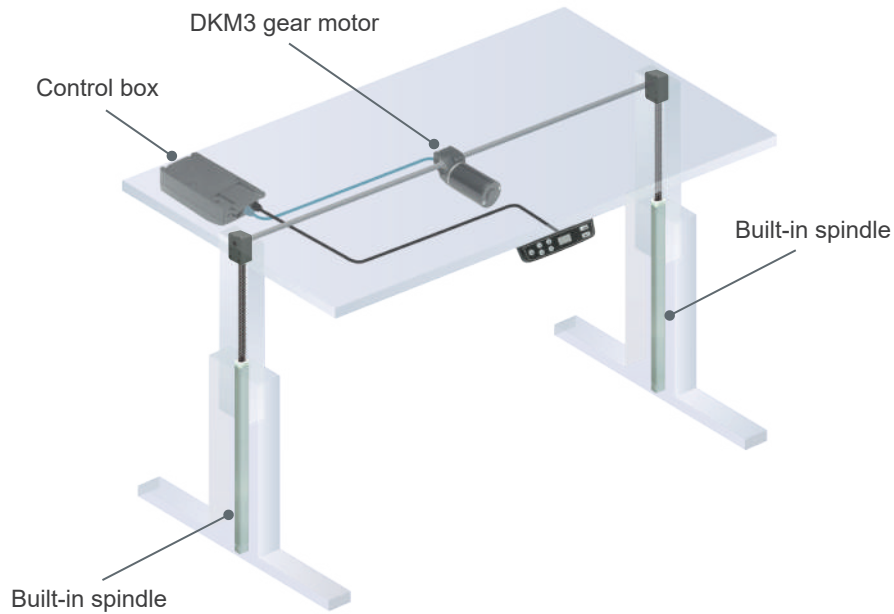


Unit: mm

Compatibility

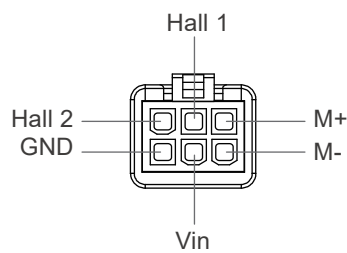
Product	Model	DKM3 spec
Control box	CF11D, CF13	<ul style="list-style-type: none"> • With dual Hall effect sensors • With Moteck L3-type minifit 6-pin plug
Built-in spindle	DKS2, DKS3	<ul style="list-style-type: none"> • Drive by hexagon metal rod (not included) • Hollow shaft hex 6mm

Application example:



Cable Plug

Moteck L3-type minifit 6-pin plug



L3-type plug

Note:

1. Connect M+ to "Vdc +" & M- to "Vdc -" of DC power, the motor will turn counterclockwise. Switch the polarity of DC input to turn clockwise direction it.
2. Dual Hall effect sensors resolution: 21 msec/pulse



Ordering Key

DKM3- 24 - A01 - 1 3 - 6

Input voltage	24: 24V DC
Motor type	A01: Standard motor (2500rpm, gear ratio 40:1)
Power cord length	1: 1000mm straight
Cable plug <i>(Refer to Page 3)</i>	3: Moteck L3-type minifit plug
Hollow shaft	6: Hexagon 6mm diameter 8: Hexagon 8mm diameter

Terms of Use

The user is responsible for application suitability of Moteck products. As ongoing improvement process continues, products listed on the Moteck website are subject to change without prior notice. Moteck reserves the right to terminate the sales or remove any product displayed on the website, or listed in its catalogues.